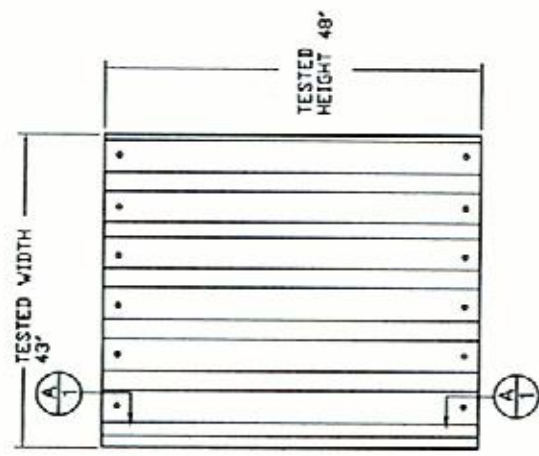
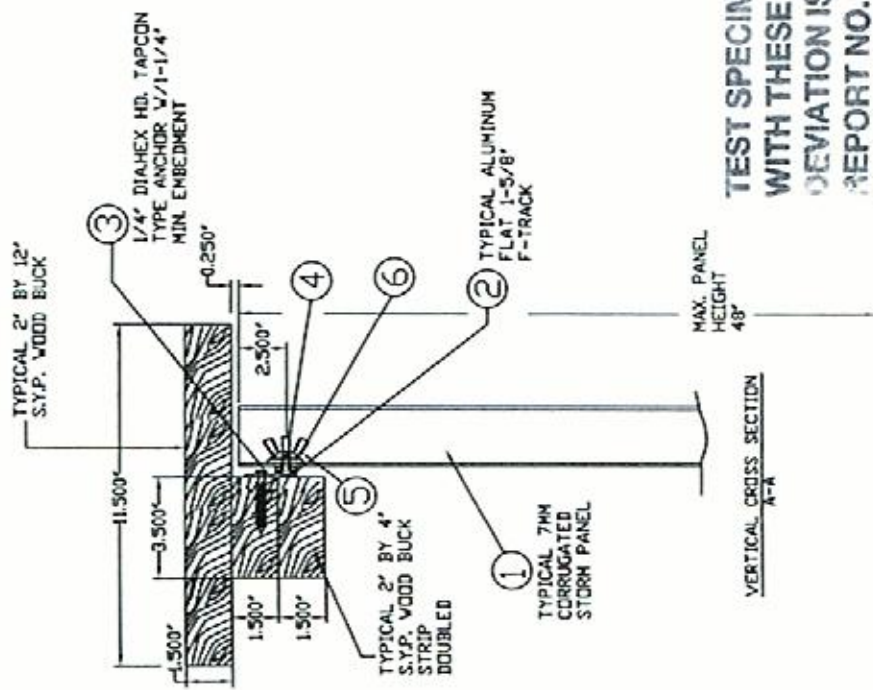


ITEM #	ITEM DESCRIPTION
1	7 MM CORRUGATED PANEL
2	1/4" X 2" SYP. ALUM. F-TRACK FLAT
3	1/4" X 2-1/2" DIA. HD. TAPCON
4	2-1/2" S.S. MACHINE BOLT
5	1/4"-20 S.S. WING NUT
6	1/4" X 1-1/4" X 1/8" RUBBER WASHER



EXTERIOR ELEVATION
7 MM CORRUGATED

TEST SPECIMEN COMPLIES WITH THESE DETAILS. ANY DEVIATION IS NOTED.
 REPORT NO. NCTL - 210 - 3193-1
 TEST DATE: 10.12.05

GALLINA USA LLC
 245 EAST MADISON AVE.
 MILTON, VT 05553

PREPARED BY: JRM
 DATE: 10/27/05

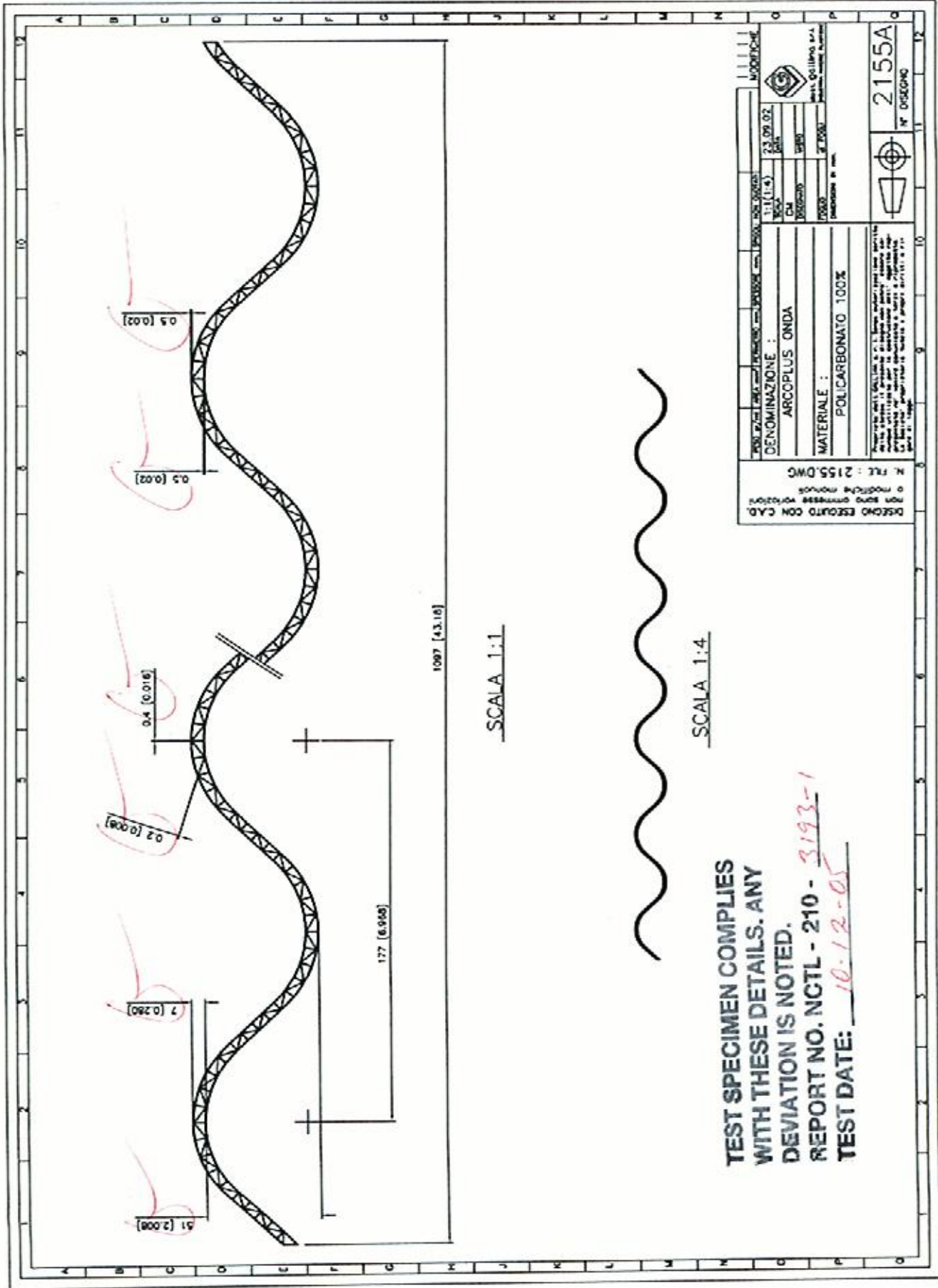
PROJECT NO.: 105
 DRAWING NO.: 105-0003-1
 SHEET NO.: 1 OF 2

FOR: BILL OF MATERIALS AND ELEVATION DETAILS

7MM POLYCARBONATE ONDA STORM PANEL

FTE
 FTE ENGINEERING, INC.

Phone: 878-3333 Fax: 878-3333



SCALA 1:1

SCALA 1:4

TEST SPECIMEN COMPLIES WITH THESE DETAILS. ANY DEVIATION IS NOTED. REPORT NO. NCTL - 210 - 3193-1 TEST DATE: 10-12-05

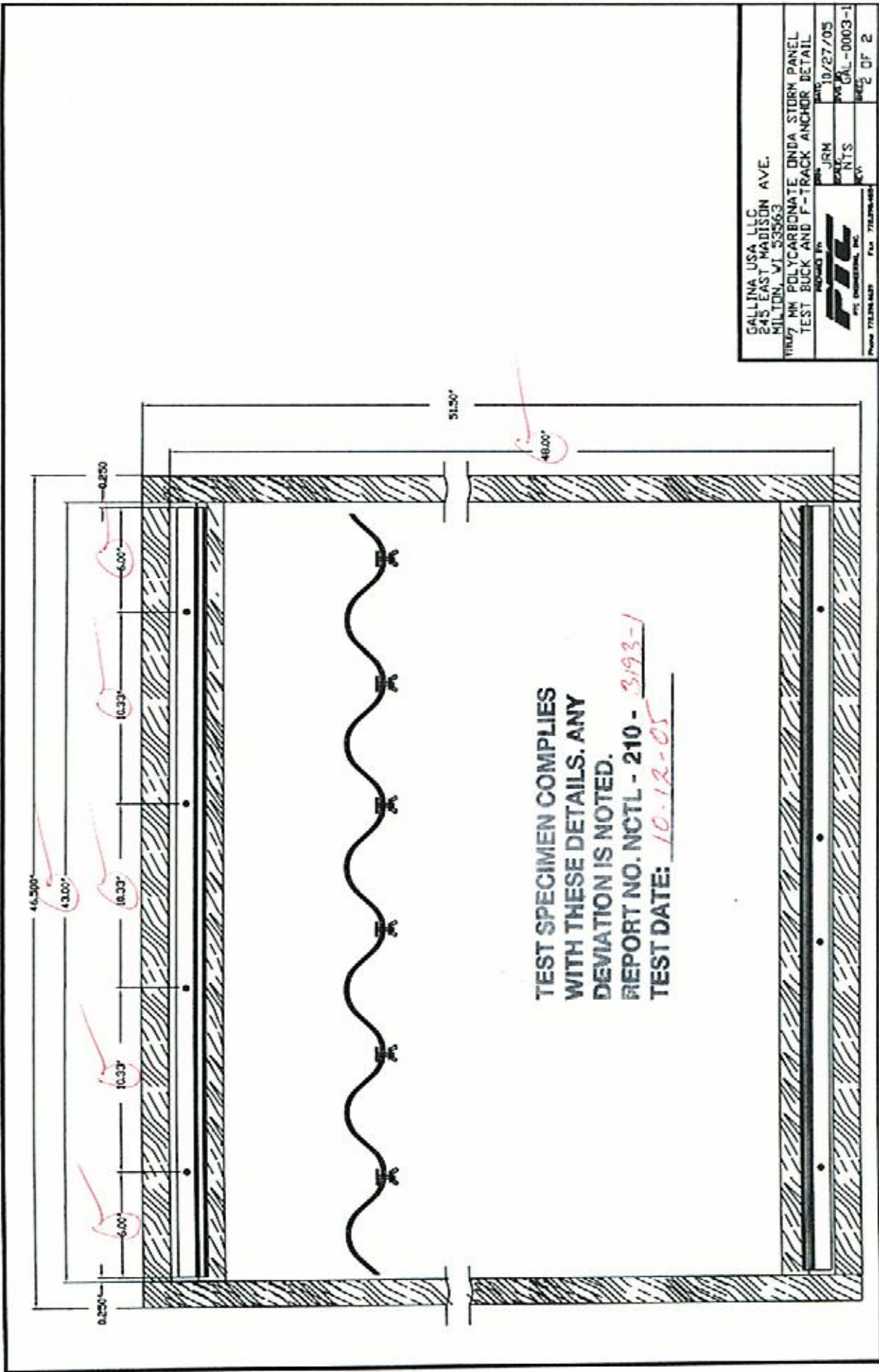
DESCRIZIONE: ARCOPLUS ONDA
 DENOMINAZIONE: ARCOPLUS ONDA
 MATERIALE: POLICARBONATO 100%

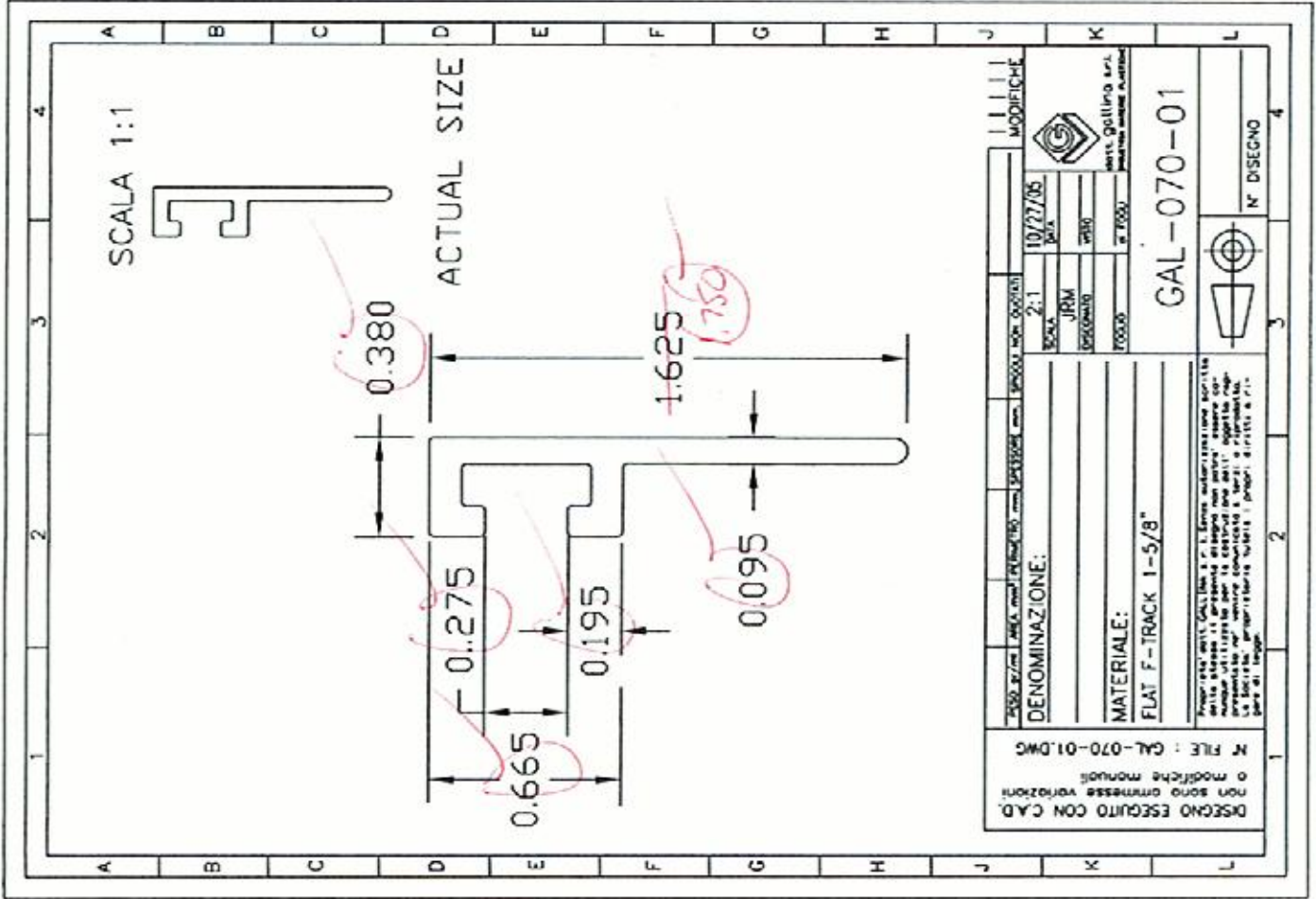
PRODOTTORE: ARCOPLUS S.p.A. - Via S. Felice 10 - 37060 San Giovanni Lupatoto (VI) - Italia
 TEL: 0445/44001 - FAX: 0445/44002
 E-MAIL: info@arcoplus.it - www.arcoplus.it

PRODOTTORE: ARCOPLUS S.p.A. - Via S. Felice 10 - 37060 San Giovanni Lupatoto (VI) - Italia
 TEL: 0445/44001 - FAX: 0445/44002
 E-MAIL: info@arcoplus.it - www.arcoplus.it

N. FILE: 2155.DWG
 N. PROGETTO: 2155
 N. CANTIERE: 2155

2155A
 N° DISCIPLINA





TEST SPECIMEN COMPLIES
WITH THESE DETAILS. ANY
DEVIATION IS NOTED.
REPORT NO. NCTL - 210 - 3193-1
TEST DATE: 10-12-05