

PRODUCTION STANDARDS

Thickness	16mm
Structure	6 walls
Effective modular width	600mm
Panel length	no limit

TECHNICAL FEATURES

Thermal insulation	1,8 W/m ² K
Acoustic insulation	20 dB
Linear thermal expansion	0,065mm/m°C
Temperature range	-40 °C +120 °C
U.V. rays protection	2 sides Coextrusion
Fire reaction	EuroClass B-s1,d0

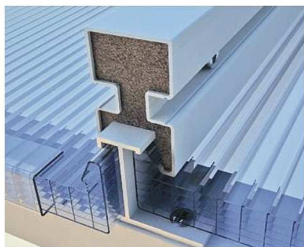
DESCRIPTION

ArcoPlus® 6166 reversò is a modular system of co-extruded six-wall polycarbonate panels with a thickness of 16 mm.

These are fixed to the existing structure using specific anchor brackets. The panels are joined together by a protected polycarbonate connector assembled using a click-on system, or by an aluminium connector, for a perfectly watertight seal.

OPTICAL PROPERTIES

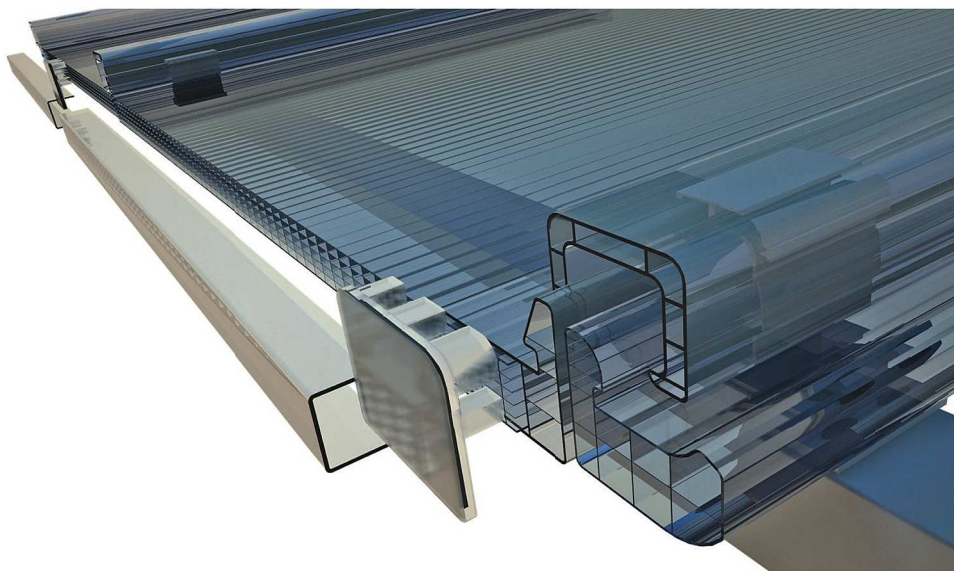
	Light Trasmission (LT)%	Solar Factor (SF) %	Shading Coeff. (SC)%
Crystal	59	63	0,72
Bronze	41	46	0,53
Opal	34	49	0,56



System with aluminium connector



System with polycarbonate covergasket



CONTINUOUS ROOFING

Construction of continuous transparent roofing, using polycarbonate cover plate.

Multicell polycarbonate panel for translucent roofing applications.
2 U.V. side protected

ADVANTAGES

- Easy and low-cost installation
- Free thermal expansion
- Light transmission
- Resistance to U.V. rays and to hail storm
- Thermal insulation
U: 1,8 W/m²K
- High load resistance
- Cold bending Min.R. = 2,9m
- 10 Year limited warranty
- No silicone on Rubber gasket
- 100% Leak proof

APPLICATIONS

Roofing



Curved roofing

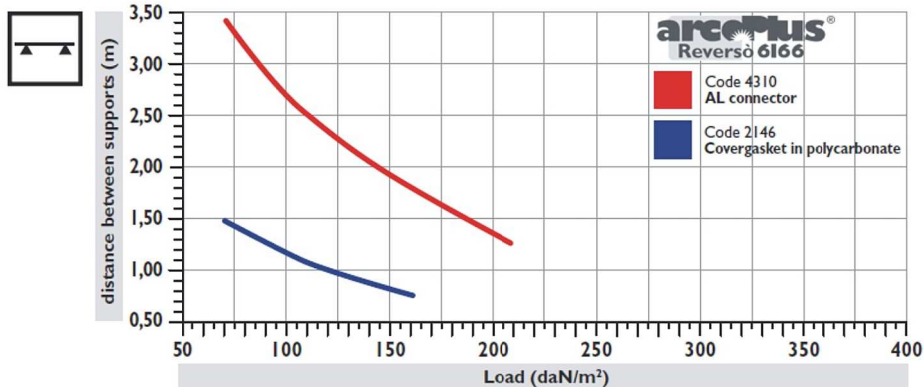




FLAT SYSTEM LOAD RESISTANCE

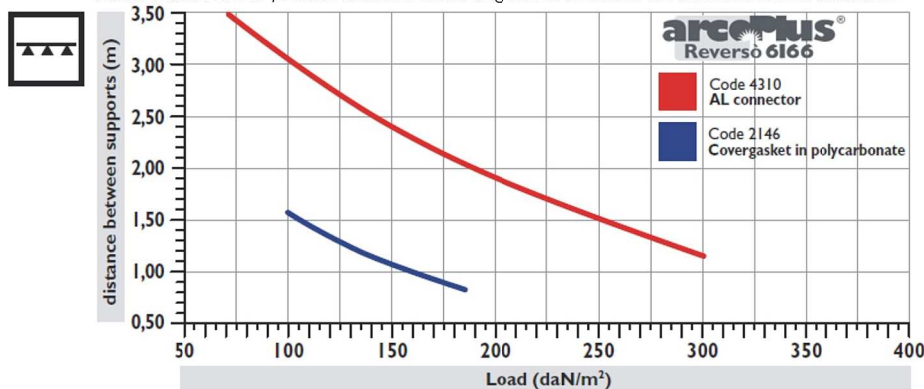
Maximum loads on two supports

Values below refer to product installed according to the Technical Handbook Recommendation



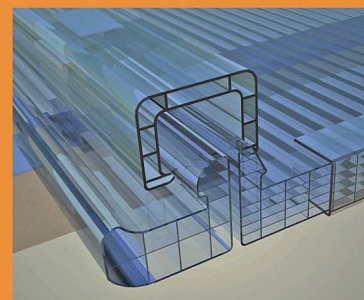
Maximum loads on two supports

Values below refer to product installed according to the Technical Handbook Recommendation



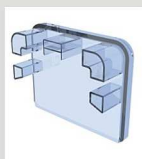
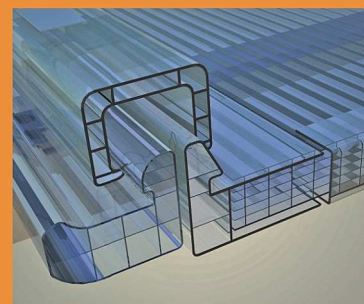
DETAIL OF START PROFILE

Start profile with panel, cover plate, plate and air cell cover profiles.



DETAIL OF END PROFILE

Detail of insertion of section-breaker profile to complete roofing.



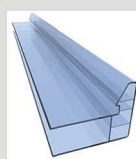
code 4303
Covergasket stopper



code 2146
Covergasket in polycarbonate



code 2360
Start profile in polycarbonate



Code 2365
End profile in polycarbonate



code 4401
AL plate



Code 4310
Connector AL profile with screw



Code 4318
Pad PE-LD for connector



Code 2493
Block cover



code 4319/200
AL eclipse for connector



code 4316 dado M6
code 4315 vite M6 x 20
Accessories for connector



code 4327
Additional tape



dott. gallina s.r.l.

Strada Carignano 104- 10040 La Loggia (TO) Italia
tel. +39.011.962.81.77 - fax +39.011.962.83.61
e-mail: info@gallina.it - www.gallina.it

ACCESSORIES