



DEPARTMENT OF REGULATORY AND ECONOMIC RESOURCES (RER)
BOARD AND CODE ADMINISTRATION DIVISION

MIAMI-DADE COUNTY
PRODUCT CONTROL SECTION
11805 SW 26 Street, Room 208
Miami, Florida 33175-2474
T (786) 315-2590 F (786) 315-2599

www.miamidade.gov/economy

NOTICE OF ACCEPTANCE (NOA)

Gallina USA, LLC
4335 Capital Circle
Janesville, WI 53546

SCOPE:

This NOA is being issued under the applicable rules and regulations governing the use of construction materials. The documentation submitted has been reviewed and accepted by Miami-Dade County RER- Product Control Section to be used in Miami Dade County and other areas where allowed by the Authority Having Jurisdiction (AHJ).

This NOA shall not be valid after the expiration date stated below. The Miami-Dade County Product Control Section (In Miami Dade County) and/or the AHJ (in areas other than Miami Dade County) reserve the right to have this product or material tested for quality assurance purposes. If this product or material fails to perform in the accepted manner, the manufacturer will incur the expense of such testing and the AHJ may immediately revoke, modify, or suspend the use of such product or material within their jurisdiction. RER reserves the right to revoke this acceptance if it is determined by Miami-Dade County Product Control Section that this product or material fails to meet the requirements of the applicable building code.

This product is approved as described herein and has been designed to comply with the High Velocity Hurricane Zone of the Florida Building Code.

DESCRIPTION: 5/8" RDC Storm Panels Shutter

APPROVAL DOCUMENT: Drawing No. 08-01342, titled 5/8" Hurricane Storm Panel RDC, sheets 1 through 3 of 3, prepared by Gallina USA, LLC, dated September 12, 2011, last revision #D dated September 22, 2021, signed and sealed by Luis R. Lomas, P.E., on September 22, 2021, bearing the Miami-Dade County Product Control Revision stamp with the Notice of Acceptance number and the expiration date by Miami-Dade County Product Control Section

MISSILE IMPACT RATING: Large and Small Missile Impact Resistant

LABELING: Each panel shall bear a permanent label with the manufacturer's name or logo, city, state, the following statement: "Miami-Dade County Product Control Approved", and NOA number, per TAS-201, TAS-202, and TAS-203, unless otherwise noted herein.

RENEWAL of this NOA shall be considered after a renewal application has been filed and there has been no change in the applicable building code negatively affecting the performance of this product.

TERMINATION of this NOA will occur after the expiration date or if there has been a revision or change in the materials, use, and/or manufacture of the product or process. Misuse of this NOA as an endorsement of any product, for sales, advertising or any other purposes shall automatically terminate this NOA. Failure to comply with any section of this NOA shall be cause for termination and removal of NOA.

ADVERTISEMENT: The NOA number preceded by the words Miami-Dade County, Florida, and followed by the expiration date may be displayed in advertising literature. If any portion of the NOA is displayed, then it shall be done in its entirety.

INSPECTION: A copy of this entire NOA shall be provided to the user by the manufacturer or its distributors and shall be available for inspection at the job site at the request of the Building Official.

This NOA revises NOA #19-0731.03 and consists of this page 1, evidence submitted pages E-1, E-2, E-3 & E-4 as well as approval document mentioned above.

The submitted documentation was reviewed by Helmy A. Makar, P.E., M.S.



Helmy A. Makar
12/23/2021

NOA No. 21-1028.03
Expiration Date: 07/27/2024
Approval Date: 12/23/2021

Gallina USA, LLC

NOTICE OF ACCEPTANCE: EVIDENCE SUBMITTED

1. EVIDENCE SUBMITTED UNDER PREVIOUS APPROVAL # 06-0222.04

A. DRAWINGS

1. *Drawing No. GAL – 0004-1, titled “ 5/8” & 1” Hurricane Storm Panel RDC ”, sheets 1 through 5 of 5, prepared by PTC Engineering, Inc., dated December 01, 2005, signed and sealed by L. Roberto Lomas, P.E.*

B. TESTS

1. *Test report on Large Missile Impact Test, Cyclic Wind Pressure Test, and Uniform Static Air Pressure Test of 5/8" Hurricane Storm Panel R.D.C., prepared by National Certified Testing Laboratories, Report No. 210-3249-1, dated October 14, 2005, signed and sealed by Gerald John Ferrara, P.E.*
2. *Test report on Large Missile Impact Test, Cyclic Wind Pressure Test, and Uniform Static Air Pressure Test of 1" Hurricane Storm Panel R.D.C., prepared by National Certified Testing Laboratories, Report No. 210-3249-2, dated October 14, 2005, signed and sealed by Gerald John Ferrara, P.E.*
3. *Test report on Spontaneous Ignition Temperature per ASTM D-1929, Report No. 3064952, dated September 29, 2004.*
4. *Test report on Rate of Burning per ASTM D635-98, Report No. 3033484(a) and 3041325(a), dated May 28, 2003.*
5. *Test Report on Flame Spread and Smoke Development per ASTM E-84-01, Report No. 3033484(b), dated January 17, 2003.*

C. CALCULATIONS

1. *Comparative Analysis, Anchor Calculations and details for 5/8” & 1” Storm Panels RDC, dated November 28, 2005, pages 1 through 5 of 5, prepared by PTC Engineering, Inc., signed and sealed by Luis R. Lomas, P.E.*

D. QUALITY ASSURANCE

1. *By Miami-Dade County Building Code Compliance Office.*

E. MATERIAL CERTIFICATIONS

1. *4500 hrs. Accelerated Weathering, pre-and-post-weathering Tensile Test contract letter from Intertek Testing Laboratory, dated September 06, 2006 to begin before 09/30/2006, in accordance with ASTM D638, signed Jeff Gearhart.*

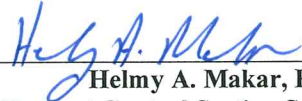
2. EVIDENCE SUBMITTED UNDER PREVIOUS APPROVAL # 07-0320.04

A. DRAWINGS

1. *None.*

B. TESTS

1. *None.*



Helmy A. Makar, P.E., M.S.
Product Control Section Supervisor
NOA No. 21-1028.03
Expiration Date: 07/27/2024
Approval Date: 12/23/2021

Gallina USA, LLC

NOTICE OF ACCEPTANCE: EVIDENCE SUBMITTED

C. CALCULATIONS

1. *None.*

D. QUALITY ASSURANCE

1. *By Miami-Dade County Building Code Compliance Office.*

E. MATERIAL CERTIFICATIONS

1. *4500 hrs. Accelerated Weathering, pre-and-post-weathering Tensile Test contract letter from Intertek Testing Laboratory, dated September 06, 2006 to begin before 09/30/2006, in accordance with ASTM D638, signed Jeff Gearhart.*

3. EVIDENCE SUBMITTED UNDER PREVIOUS APPROVAL # 08-0213.02

A. DRAWINGS

1. *None.*

B. TESTS

1. *None.*

C. CALCULATIONS

1. *None.*

D. QUALITY ASSURANCE

1. *By Miami-Dade County Building Code Compliance Office.*

E. MATERIAL CERTIFICATIONS

1. *None.*

4. EVIDENCE SUBMITTED UNDER PREVIOUS APPROVAL # 11-1006.12

A. DRAWINGS

1. *Drawing No. 08-01342, titled " 5/8" & 1" Hurricane Storm Panel RDC ", sheets 1 through 5 of 5, prepared by Gallina USA, LLC, dated September 12, 2011, signed and sealed by Luis R. Lomas, P.E., on December 22, 2011.*

B. TESTS


1. *None.*

C. CALCULATIONS

1. *None.*

E. MATERIAL CERTIFICATIONS

1. *None.*



Helmy A. Makar, P.E., M.S.
Product Control Section Supervisor
NOA No. 21-1028.03
Expiration Date: 07/27/2024
Approval Date: 12/23/2021

Gallina USA, LLC

NOTICE OF ACCEPTANCE: EVIDENCE SUBMITTED

5. EVIDENCE SUBMITTED UNDER PREVIOUS APPROVAL # 13-1126.21

A. DRAWINGS

1. *Drawing No. 08-01342, titled 5/8" Hurricane Storm Panel RDC, sheets 1 through 3 of 3, prepared by Gallina USA, LLC, dated September 12, 2011, last revision #B dated May 15, 2013, signed and sealed by Luis R. Lomas, P.E., on May 16, 2013.*

B. TESTS

1. *None.*

C. CALCULATIONS

1. *None.*

D. QUALITY ASSURANCE

1. *By Miami-Dade County Department of Regulatory and Economic Resources.*

E. MATERIAL CERTIFICATIONS

1. *None.*

6. EVIDENCE SUBMITTED UNDER PREVIOUS APPROVAL # 18-0404.01

A. DRAWINGS

1. *Drawing No. 08-01342, titled 5/8" Hurricane Storm Panel RDC, sheets 1 through 3 of 3, prepared by Gallina USA, LLC, dated September 12, 2011, last revision #C dated March 20, 2018, signed and sealed by Luis R. Lomas, P.E., on March 20, 2018.*

B. TESTS

1. *None.*

C. CALCULATIONS

1. *None.*

D. QUALITY ASSURANCE

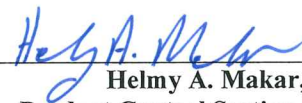
1. *By Miami-Dade County Department of Regulatory and Economic Resources.*

E. MATERIAL CERTIFICATIONS

1. *None.*

F. STATEMENTS

1. *FBC, 2017 Edition compliance letter prepared by Luis R. Lomas, P.E., dated March 22, 2018, signed and sealed by Luis R. Lomas, P.E.*



Helmy A. Makar, P.E., M.S.
Product Control Section Supervisor

NOA No. 21-1028.03


Expiration Date: 07/27/2024

Approval Date: 12/23/2021

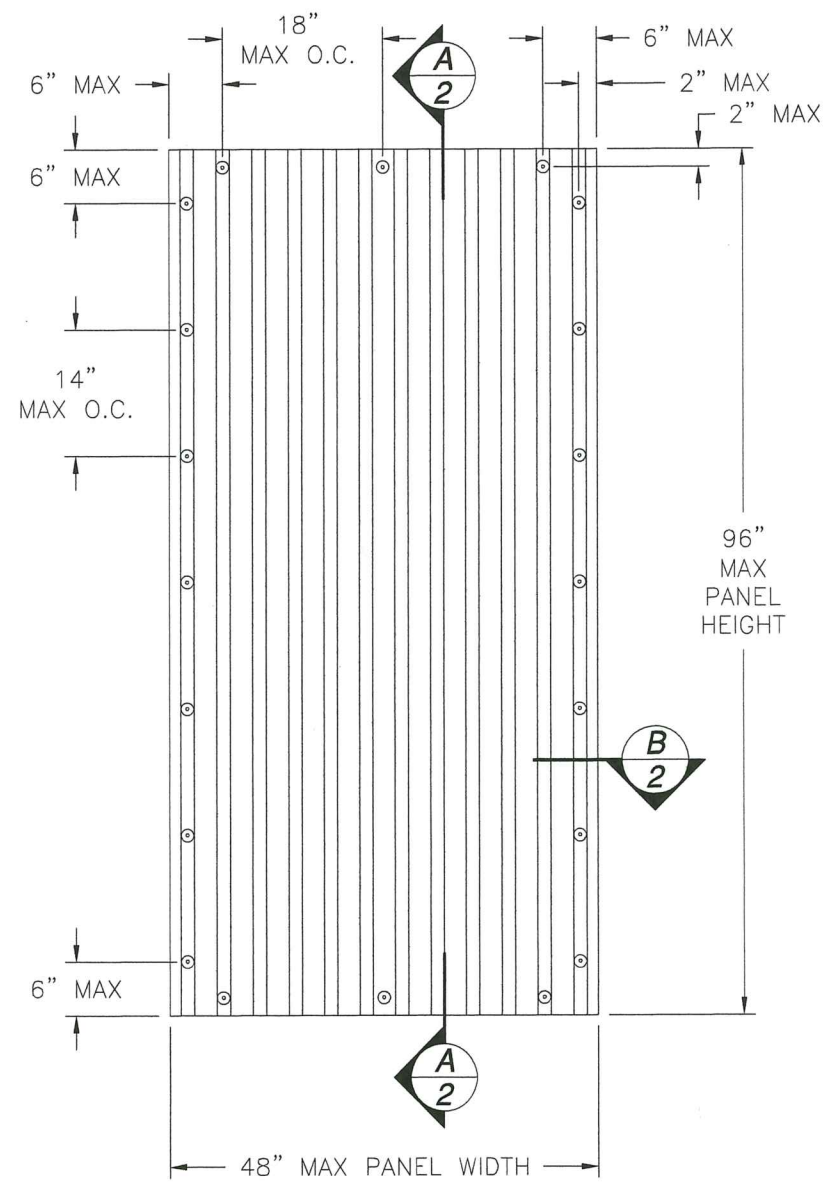
Gallina USA, LLC

NOTICE OF ACCEPTANCE: EVIDENCE SUBMITTED

- 7. EVIDENCE SUBMITTED UNDER PREVIOUS APPROVAL # 19-0731.03**
- A. DRAWINGS**
1. *None.*
- B. TESTS**
1. *None.*
- C. CALCULATIONS**
1. *None.*
- D. QUALITY ASSURANCE**
1. *By Miami-Dade County Department of Regulatory and Economic Resources.*
- E. MATERIAL CERTIFICATIONS**
1. *None.*
- F. STATEMENTS**
1. *FBC, 2017 Edition compliance letter prepared by Luis R. Lomas, P.E., dated March 22, 2018, signed and sealed by Luis R. Lomas, P.E.*
- 8. NEW EVIDENCE SUBMITTED**
- A. DRAWINGS**
1. *Drawing No. 08-01342, titled 5/8" Hurricane Storm Panel RDC, sheets 1 through 3 of 3, prepared by Gallina USA, LLC, dated September 12, 2011, last revision #D dated September 22, 2021, signed and sealed by Luis R. Lomas, P.E., on September 22, 2021.*
- B. TESTS**
1. *None.*
- C. CALCULATIONS**
1. *None.*
- D. QUALITY ASSURANCE**
1. *By Miami-Dade County Department of Regulatory and Economic Resources.*
- E. MATERIAL CERTIFICATIONS**
1. *None.*



Helmy A. Makar, P.E., M.S.
Product Control Section Supervisor
NOA No. 21-1028.03
Expiration Date: 07/27/2024
Approval Date: 12/23/2021



5/8" PANEL
EXTERIOR VIEW

DESIGN PRESSURE RATING	IMPACT RATING
±60.0PSF	LARGE AND SMALL MISSILE IMPACT

TABLE OF CONTENTS	
SHEET NO.	DESCRIPTION
1	ELEVATION AND NOTES
2	INSTALLATION DETAILS
3	B.O.M. AND COMPONENTS

REVISIONS			
REV	DESCRIPTION	DATE	APPROVED
A	REVISED PER MD COMMENTS	12/12/11	R.L.
B	REMOVED 1" PANEL	05/15/13	R.L.
C	REVISED NOTE 1	03/20/18	R.L.
D	REVISED NOTE 1	09/22/21	R.L.

NOTES:

1. THE PRODUCT SHOWN HEREIN IS DESIGNED AND MANUFACTURED TO COMPLY WITH THE 2020 FLORIDA BUILDING CODE 7TH EDITION INCLUDING THE HVHZ.
2. PANELS SHALL BE FASTENED ACCORDING TO FASTENER MANUFACTURERS INSTALLATION SPECIFICATIONS AND AS SHOWN HEREIN.
3. PANEL FRAME MATERIAL: POLYCARBONATE 5/8".
4. MAXIMUM PANEL SIZE: 48" X 96".
5. TOP AND BOTTOM DETAILS SHOWN MAY BE INTERCHANGED AS FIELD CONDITIONS DICTATE. PANELS MAY BE MOUNTED HORIZONTALLY WHERE APPLICABLE.
6. MINIMUM REQUIRED SEPARATION 2 7/8" BETWEEN PRODUCT AND EXISTING GLASS.
7. STORM PANELS SHALL BE EXTRUDED CELLULAR POLYCARBONATE WITH A MINIMUM THICKNESS AS INDICATED ON COMPONENT 1.

ANCHORING NOTES:

1. LOCATE ANCHORS AS FOLLOWS:
AT SHORTER SIDE: 6" FROM EACH CORNER AND 18" MAXIMUM ON CENTER THEREAFTER.
AT LONGER SIDE: 6" MAXIMUM FROM EACH CORNER AND 14" MAXIMUM ON CENTER THEREAFTER.
2. ALL BOLTS AND WASHERS SHALL BE GALVANIZED OR STAINLESS STEEL WITH A MINIMUM TENSILE STRENGTH OF 60 K.S.I.
3. ONE THIRD INCREASE IN THE ANCHOR LOAD ALLOWABLE WAS NOT USED IN CALCULATING ANCHOR SPACING.

PRODUCT REVISED
as complying with the Florida Building Code
Acceptance No. 21-1028.03
Expiration Date 07/27/2024
By H. G. A. M. W.
Miami Code Product Control

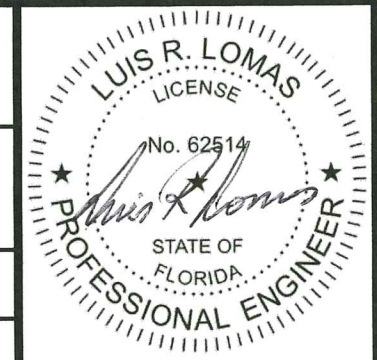
GALLINA USA, LLC
4335 CAPITAL CIRCLE
JANESVILLE, WI 53545

5/8" HURRICANE STORM PANEL RDC
48" x 96"
ELEVATION AND NOTES

DRAWN: V.L.	DWG NO. 08-01342	REV D
SCALE NTS	DATE 09/12/11	SHEET 1 OF 3

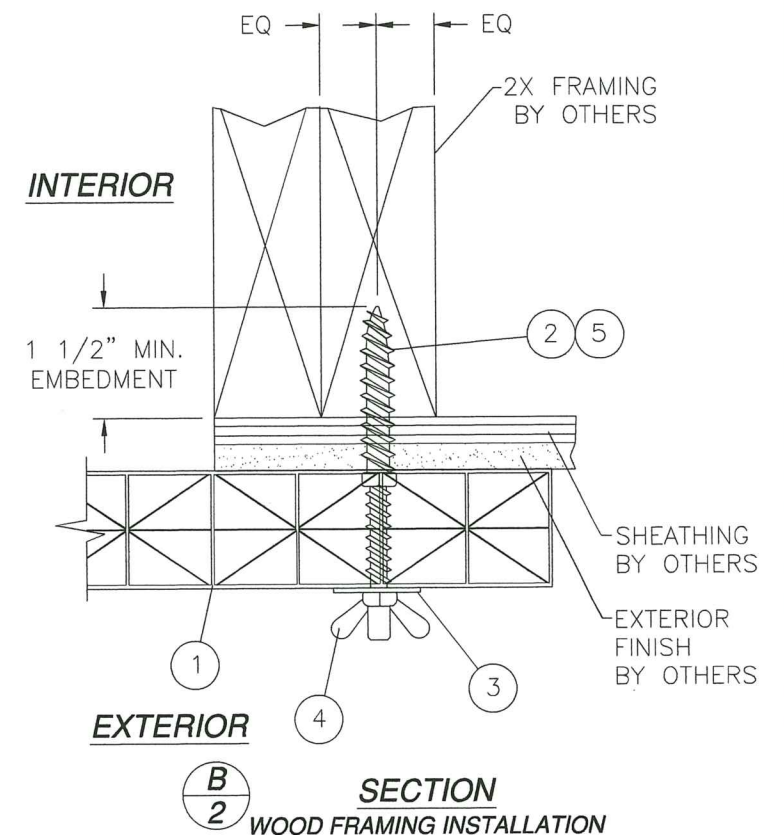
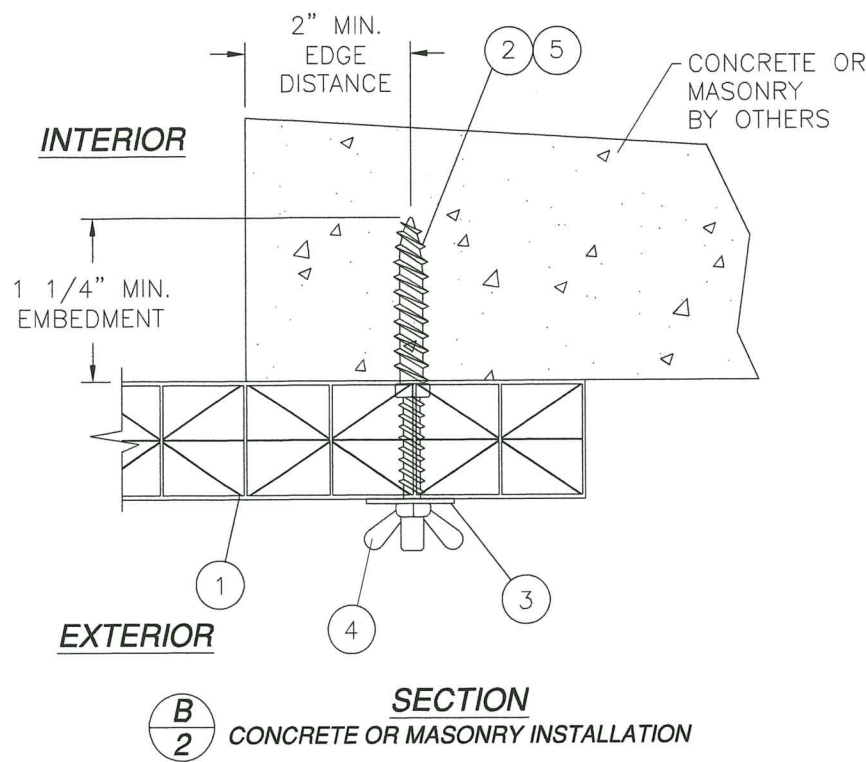
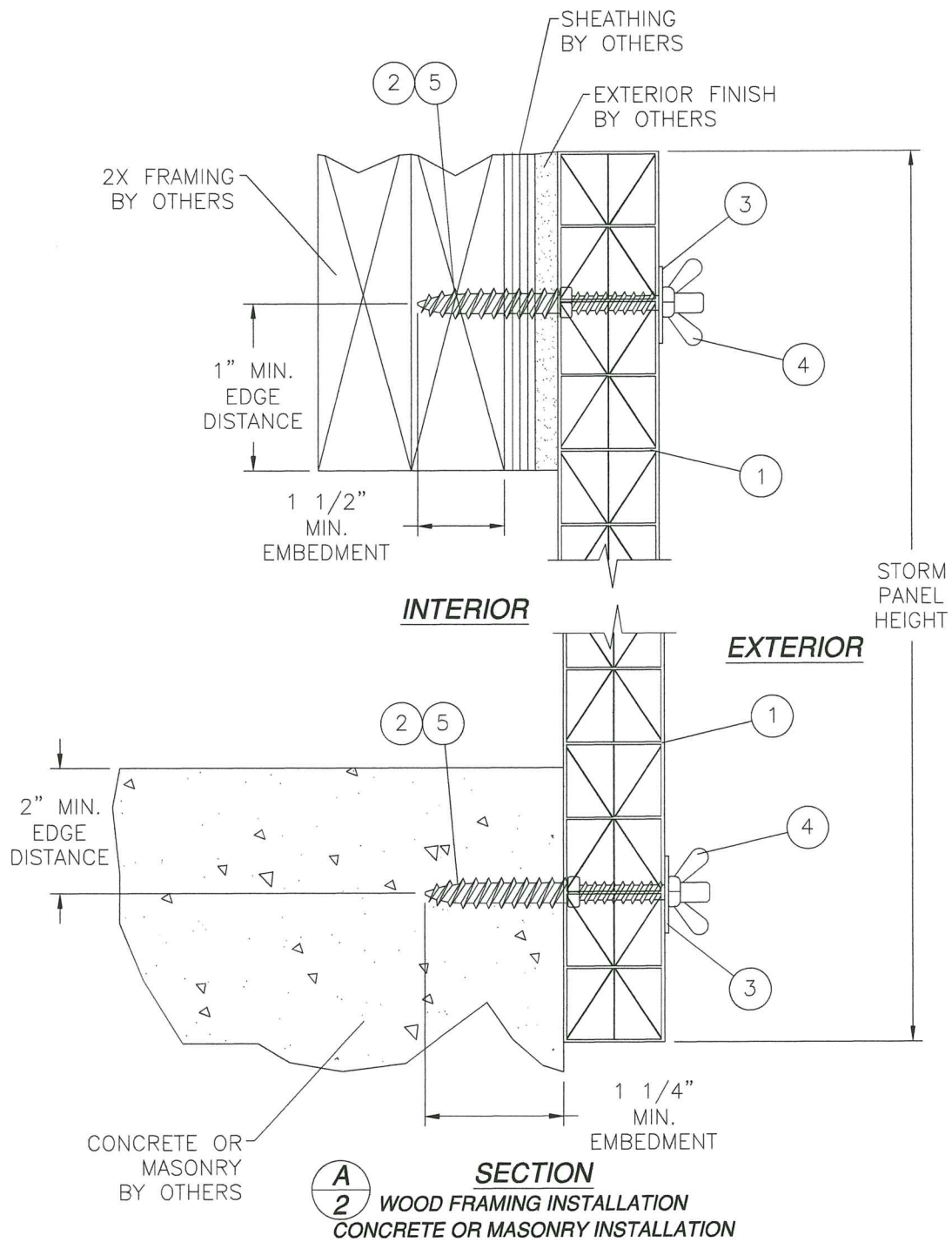
L. ROBERTO LOMAS P.E.
1432 WOODFORD RD LEWISVILLE, NC 27023
434-688-0609 rllomas@rlomaspe.com

SIGNED: 09/22/2021



Luis R. Lomas P.E.
FL No.: 62514

REVISIONS			
REV	DESCRIPTION	DATE	APPROVED
A	REVISED PER MD COMMENTS	12/12/11	R.L.
B	REMOVED 1" PANEL	05/15/13	R.L.
C	REVISED NOTE 1	03/20/18	R.L.
D	REVISED NOTE 1	09/22/21	R.L.



PRODUCT REVISED
 as complying with the Florida
 Building Code
 Acceptance No. 21-1028.03
 Expiration Date 07/27/2024
 By: *Hedy A. Mahr*
 Miami Data Product Control

GALLINA USA, LLC
 4335 CAPITAL CIRCLE
 JANESVILLE, WI 53545

5/8" HURRICANE STORM PANEL RDC
 48" x 96"
 INSTALLATION DETAILS

DRAWN:	DWG NO.	REV
V.L.	08-01342	D
SCALE NTS	DATE 09/12/11	SHEET 2 OF 3

L. ROBERTO LOMAS P.E.
 1432 WOODFORD RD LEWISVILLE, NC 27023
 434-688-0609 rllomas@lrllomaspe.com

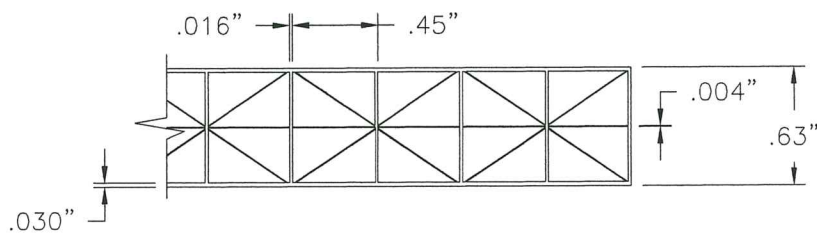
SIGNED: 09/22/2021

Luis R. Lomas P.E.
 FL No.: 62514

BILL OF MATERIALS				
ITEM NO.:	PART NUMBER	DESCRIPTION	MANUFACTURER	MATERIAL
1	2161	5/8" STORM PANEL		POLYCARBONATE
2	PURCHASE	1/4" PANEL MATE MALE FASTENER	TEXTRON	
3	PURCHASE	1/4" WASHER		STEEL
4	PURCHASE	1/4-20 WINGNUT		STEEL
5	PURCHASE	1/4" TAPCON SG	ITW BUILDEX	

REVISIONS			
REV	DESCRIPTION	DATE	APPROVED
A	REVISED PER MD COMMENTS	12/12/11	R.L.
B	REMOVED 1" PANEL	05/15/13	R.L.
C	REVISED NOTE 1	03/20/18	R.L.
D	REVISED NOTE 1	09/22/21	R.L.

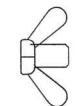
5/8" PRODUCT PROPERTIES			
TEST DESCRIPTION	TEST METHOD	TEST RESULTS	
SELF IGNITION TEMP.	ASTM D1929	896°F	
AVERAGE TIME OF BURNING	ASTM D635	0 SEC.	
STANDARD FLAME SPREAD	ASTM E84	15	
SMOKE DENSITY DEVELOPED	ASTM E84	350	
TENSILE STRENGTH (MEAN)	ASTM D638	6604 PSI	7240 PSI
		BEFORE	AFTER



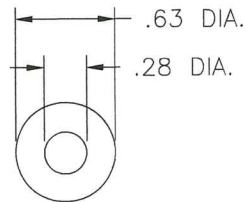
① **5/8" PANEL**
 EXTERIOR WALLS 0.030"
 INTERIOR FLUTED WALLS THICKNESS 0.016"



② **1/4" PANEL MATE (TEXTRON)**
 ⑤ **1/4" TAPCON SG (ITW BUILDEX)**



④ **1/4"-20 WING NUT**
 STEEL



③ **1/4" WASHER**
 STEEL 1/16" THICK

SIGNED: 09/22/2021

<p>PRODUCT REVISED as complying with the Florida Building Code Acceptance No. 21-1028-03 Expiration Date 07/27/2024 By <i>Hedy A. Miller</i> Miami Fire Product Control</p>	GALLINA USA, LLC 4335 CAPITAL CIRCLE JANESVILLE, WI 53545			
	5/8" HURRICANE STORM PANEL RDC 48" x 96" B.O.M. AND COMPONENTS			
	DRAWN: V.L.	DWG NO. 08-01342		REV D
	SCALE NTS	DATE 09/12/11		SHEET 3 OF 3
L. ROBERTO LOMAS P.E. 1432 WOODFORD RD LEWISVILLE, NC 27023 434-688-0609 rllomas@irlomaspe.com			Luis R. Lomas P.E. FL No.: 62514	